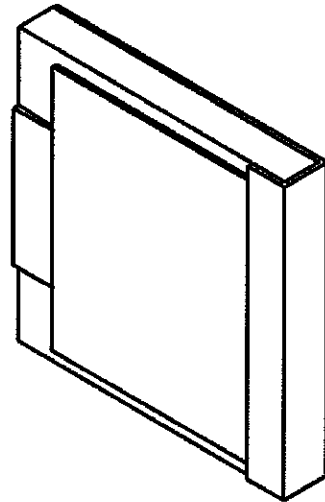
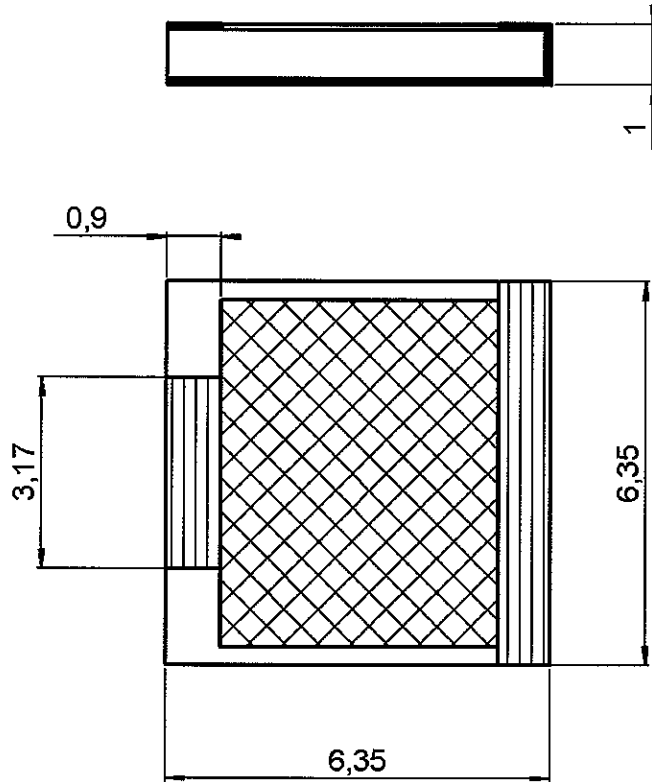


SMT TERMINATION (AL2O3)

DC - 3.5 GHZ 30 W

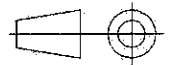
R401.212.005

Series :
TERMINATION



Packaged in a bag of 100 pieces

dimensions are in mm.



Issue : 0520 A

In the effort to improve our products, we reserve the right to make changes judged to be necessary.



SMT TERMINATION (AL2O3)

R401.212.005

DC - 3.5 GHZ 30 W

Series :
TERMINATION

ELECTRICAL CHARACTERISTICS

Frequency range : DC – 3.5 GHz
 Impedance : 50 ohms ±5%
 Average Power : 30 W

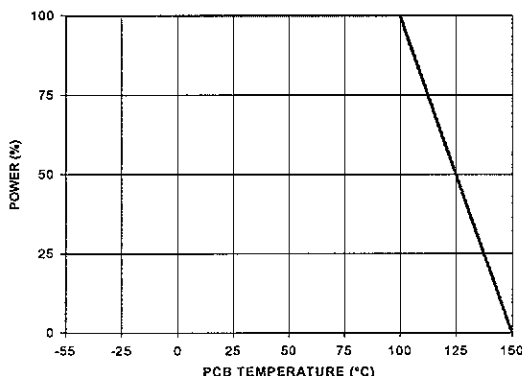
Frequency	DC – 3.5 GHz				
V.S.W.R	<= 1.20				

MECHANICAL CHARACTERISTICS

Substrate : Al₂O₃
 Resistive film type : Thick film
 Protective coating : Epoxy
 Solderable terminal & ground : PtAg

OTHER CHARACTERISTICS

Power derating
Versus temperature



ENVIRONMENTAL

Operating temperature range : -55°c + 150°c